

---

# Auto-focal Glasses

*Eye Movement Tracker With Automatic  
Accomodative Lens*

Young H. Cho

*youngc@cs.berkeley.edu*

*http://http.cs.berkeley.edu/~youngc*

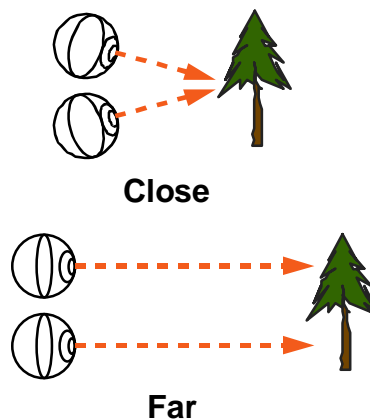
*E E 192 Class Project - Dr. A. Flynn*

*December 2, 1995*

---

## Background

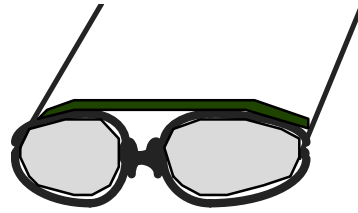
- ↳ **Human Eye**
- ↳ **Vergence**
- ↳ **Accomodation**
- ↳ **Ancient Solutions**
- ↳ **Technology**
- ↳ **Micro-instruments**
- ↳ **Cheaper Parts**
- ↳ **System**
- ↳ **Better Solution**



## Idea

---

- 👁️ **Sensors**
- 👁️ **Signal Process**
- 👁️ **Microprocessor**
- 👁️ **Mechanism**
- 👁️ **Lens Movement**



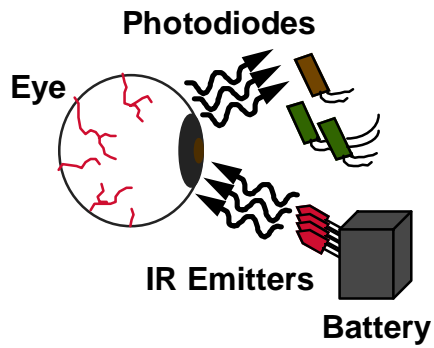
## Prototype

---



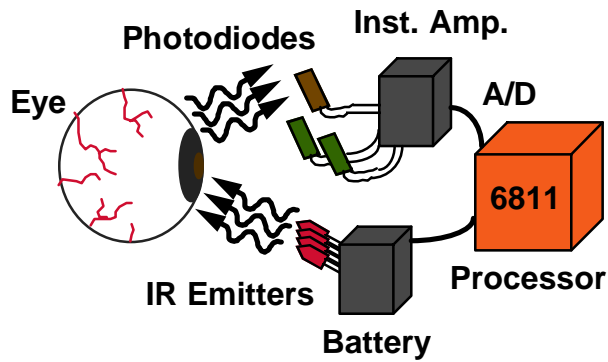
# Prototype

---

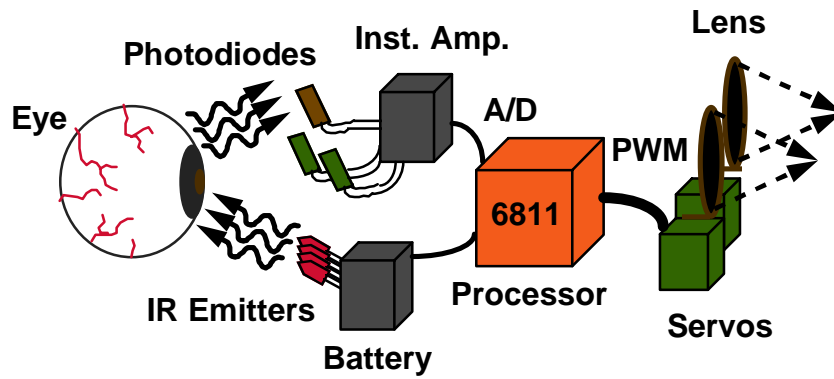


# Prototype

---



# Prototype



# Demonstration

